

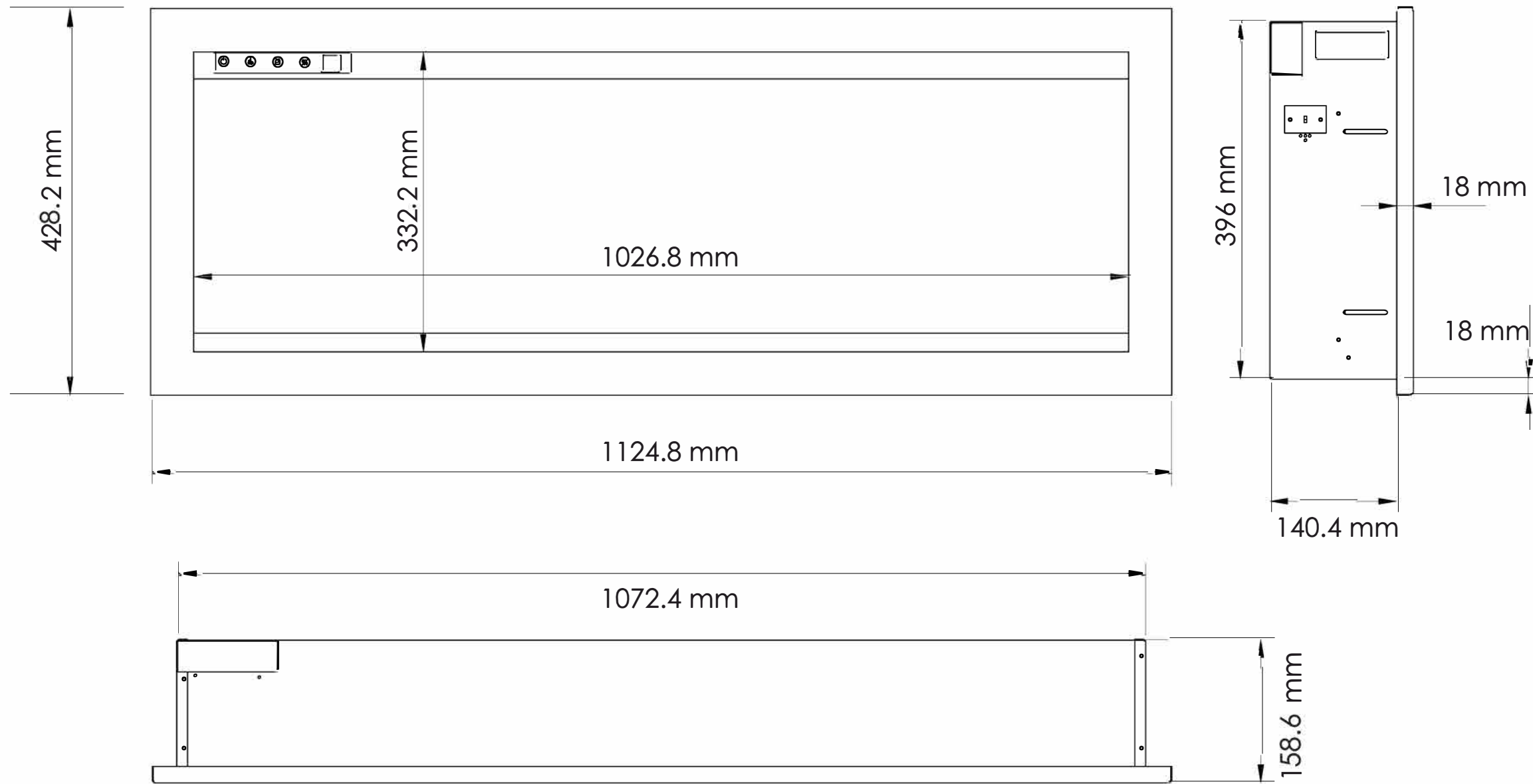


TECHNICAL SPECIFICATIONS	
VOLTS	120
AMPS	12.5
WATTS	1465
HEATER	HIGH 1465 watts LOW 600 watts
NO HEATER	31 watts max
LAMPS	QUANTITY LED WATTS TOTAL WATTS 22 watts
ROTOR MOTOR	1 at 5 watts
HEIGHT, WIDTH, DEPTH	15 5/8 x 42 1/4 x 5 1/2
GLASS VIEWING OPENING	13 1/8 x 40 3/8
SURROUND SIZE	16 7/8 x 44 1/4
SHIPPING SIZE	19 1/2 x 49 1/4 x 9 1/4
SHIPPING WEIGHT	
	UNIT
STEEL FRONT	Included
PLUG LOCATION	Left Side
CORD LENGTH	70 7/8"
APPROX. HEATING AREA	400 sq ft




SERIES WM-B	MODEL WM-42-B		REV 1
SCALE 1" = 1'-0"	DATE: 10/15/2018	SHEET 1 OF 1	



TECHNICAL SPECIFICATIONS		
VOLTS		120
AMPS		12.5
WATTS		1465
HEATER	HIGH	1465 watts
	LOW	600 watts
NO HEATER		31 watts max
LAMPS	QUANTITY	LED
	WATTS	
	TOTAL WATTS	22 watts
ROTOR MOTOR		1 at 5 watts
HEIGHT, WIDTH, DEPTH		39.6 x 107.2 x 14 cm
GLASS VIEWING OPENING		33.2 x 102.7 cm
SURROUND SIZE		42.8 x 112.5 cm
SHIPPING SIZE		49.3 x 124.8 x 23 cm
SHIPPING WEIGHT		
	UNIT	
	GLASS FRONT	Included
PLUG LOCATION		Left Side
CORD LENGTH		180 cm
APPROX. HEATING AREA		37 sqm



SERIES WM-B	MODEL WM-42-B		REV 1
SCALE 1:12	DATE: 10/15/2018		SHEET 1 OF 1